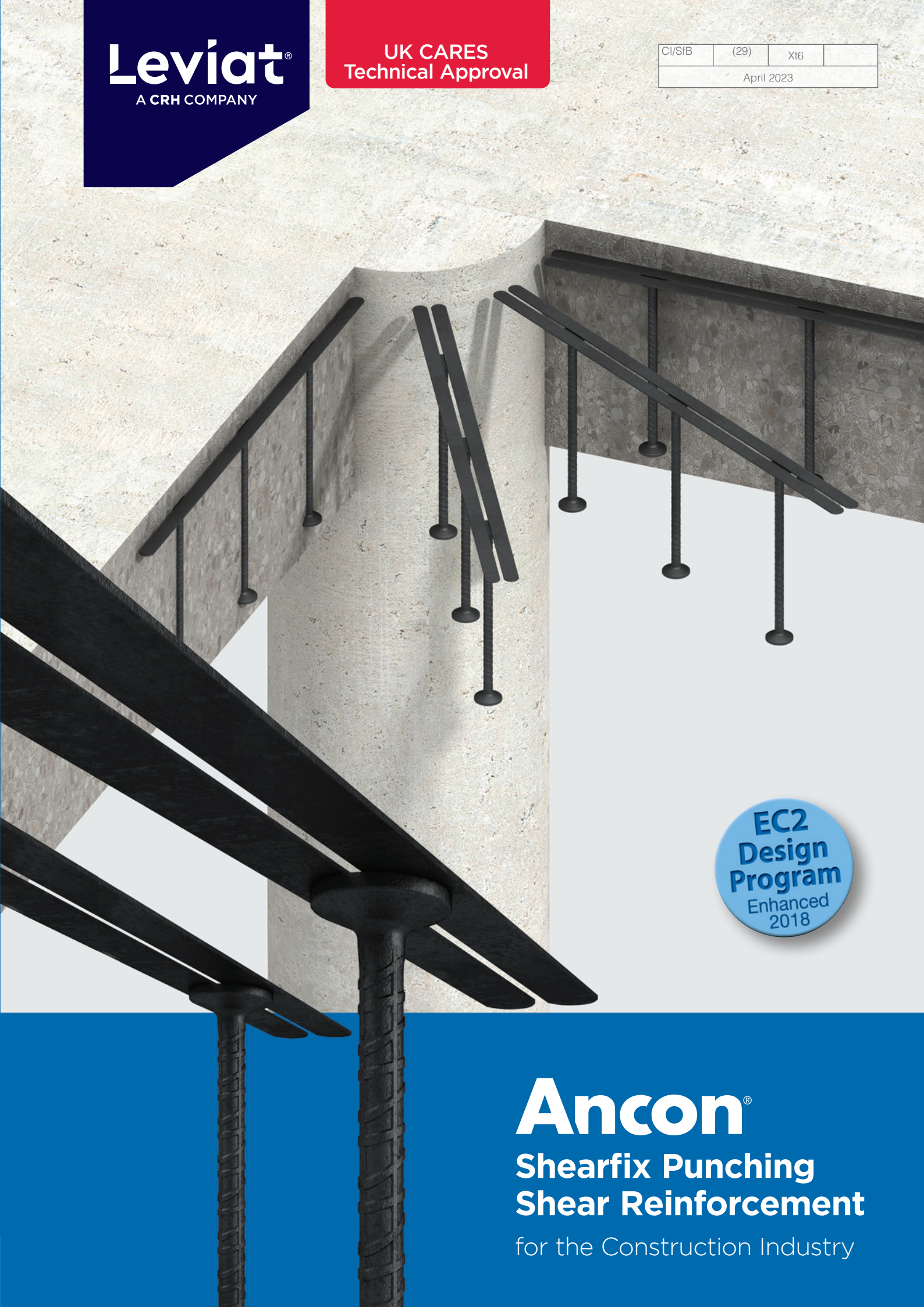


CI/SfB	(29)	Xt6	
April 2023			



**Ancon**<sup>®</sup>  
**Shearfix Punching  
Shear Reinforcement**  
for the Construction Industry



# **We are one team.** **We are Leviat.**

Leviat is the new name of CRH's construction accessories companies worldwide.

Under the Leviat brand, we have united the expertise, skills and resources of Ancon and its sister companies to create a world leader in fixing, connecting and anchoring technology.

The products you know and trust will remain an integral part of Leviat's comprehensive brand and product portfolio. As Leviat, we can offer you an extended range of specialist products and services, greater technical expertise, a larger and more agile supply chain and better, faster innovation.

By bringing together CRH's construction accessories family as one global organisation, we are better equipped to meet the needs of our customers, and the demands of construction projects, of any scale, anywhere in the world.

**This is an exciting change. Join us on our journey.**

**Read more about Leviat at [Leviat.com](https://www.leviat.com)**



Our product brands include:

**Ancon**

  
**HALFEN**

**HELIFIX** 

 **ISEDIO**

**PLAKA**



**60**

locations

sales in  
**30+**  
locations

**3000**

people worldwide

Imagine. Model. Make.

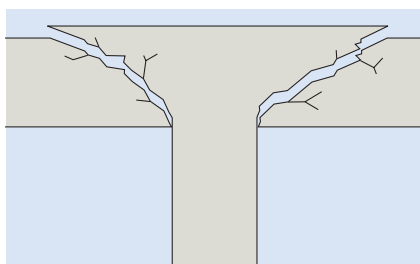
[Leviat.com](https://Leviat.com)



# Punching Shear Reinforcement

## Reinforcing Concrete Slabs at Column Heads

The weight of a slab supported on a column induces shear stresses in the slab. These stresses, if sufficient and where additional reinforcement has not been provided, would result in the column 'punching' through the slab. This punching shear is similarly induced in the footing on which the column bears.



Although punching shear can be relieved by localised thickening of the concrete with

downstand beams and enlarged column heads, the construction of flat slabs offers many advantages.

A consistent head space can reduce the overall height of a building and provide significant time and material savings.

Used within a slab to provide additional reinforcement around columns, Ancon Shearfix is the ideal solution to the design and construction problems associated with punching shear.

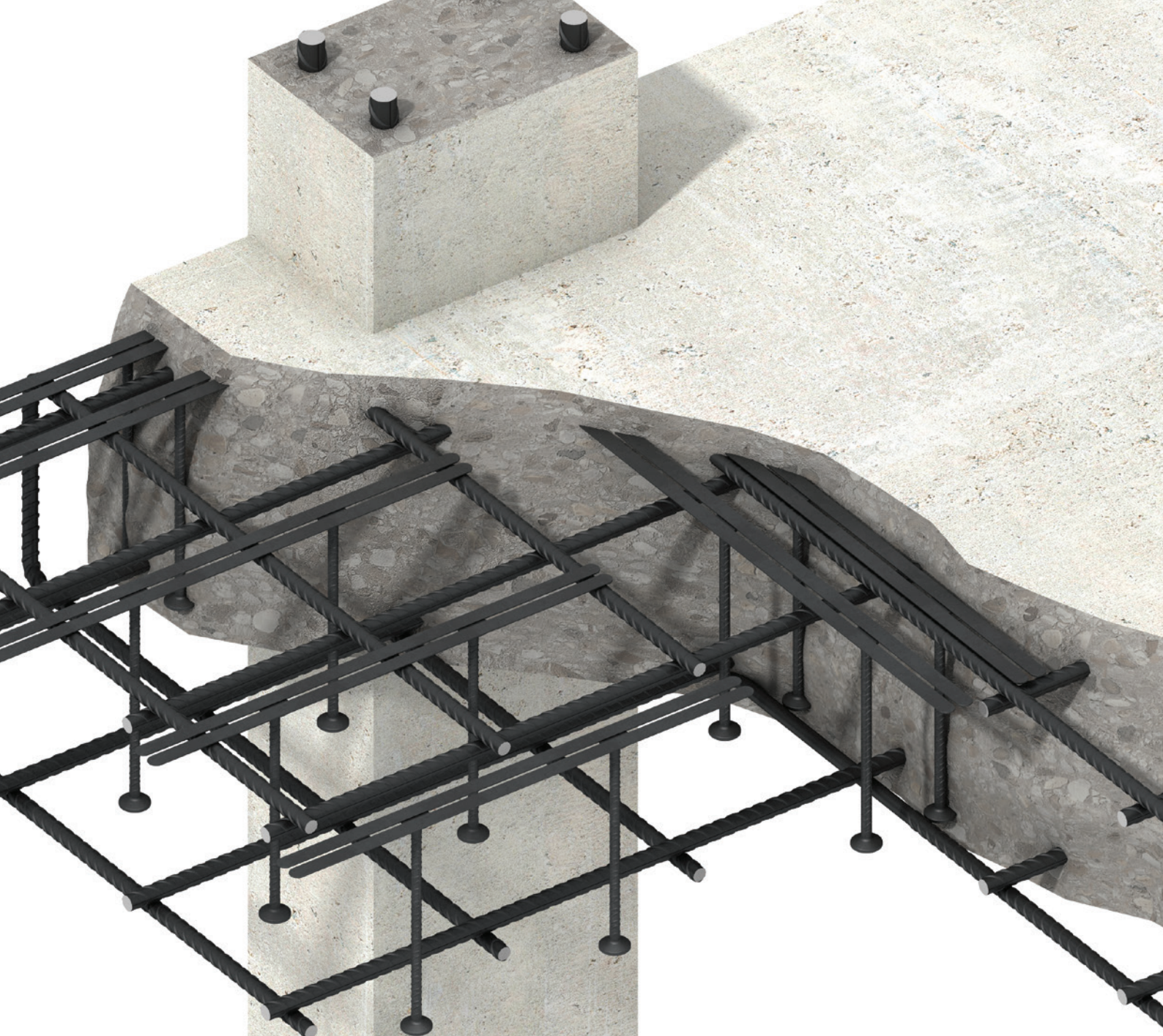
The system consists of double-headed studs welded to flat rails, positioned around the column head or base. The shear load from the slab is transferred through the studs into the column.



## Contents

<a href="#">Ancon Shearfix</a>	<a href="#">4</a>	<a href="#">Design Program</a>	<a href="#">8</a>
<a href="#">Comparison with Shear Links</a>	<a href="#">4</a>	<a href="#">Typical Rail Arrangements</a>	<a href="#">10</a>
<a href="#">System Components</a>	<a href="#">5</a>	<a href="#">Installation Procedure</a>	<a href="#">10</a>
<a href="#">Design Information:</a>		<a href="#">Applications</a>	<a href="#">11</a>
<a href="#">BS EN 1992 (Eurocode 2)</a>	<a href="#">6</a>	<a href="#">Other Ancon Products</a>	<a href="#">11</a>
<a href="#">Large and Elongated Columns</a>	<a href="#">7</a>		





Established, trusted name in concrete reinforcement



Free EC2 design program & technical support



BIM Objects available



In-house manufacture from CARES-approved B500C rebar



Rounded rail ends for safer handling



Full material traceability



In-house, traceable batch testing



Technical Approval TA7-5041



ISO 9001, ISO 14001 & OHSAS 18001



# Shearfix Punching Shear Reinforcement

## Ancon Shearfix

Used within a slab to provide additional reinforcement around columns, Ancon Shearfix is the ideal solution to the design and construction problems associated with punching shear.

The system consists of double-headed studs welded to flat rails, positioned around the column head or base. The shear load from the slab is transferred through the studs into the column.

Shearfix is suitable for all column shapes and is easy to install either 'top down' or 'bottom up', depending on user preference.

### Technical Approval

Shearfix has been evaluated by UK CARES for use in reinforced concrete slabs and footings designed in accordance with BS EN 1992 (Eurocode 2).



### Comparison with Shear Links

Ancon Shearfix offers many advantages over loose shear links. Links can be time-consuming to both design and install. A Shearfix system is easily detailed with our free calculation program which generates a layout drawing for inclusion in the building plans and, rather than being installed individually, these studs are supplied to site welded to rails at the appropriate spacing.

When comparing links with studs, research has shown that any additional material costs incurred when purchasing a prefabricated stud system, such as Shearfix, are generally far outweighed by the savings from a significantly reduced fixing time; these systems being up to ten times quicker to install (source: *British Cement Association: Prefabricated punching shear reinforcement for reinforced concrete flat slabs. BCA, Camberley, 2001*).

### Details for Specifying/Ordering

Shearfix systems are designed to suit the specific load conditions at individual columns and are therefore manufactured to order. To specify and order an Ancon Shearfix system, download the free design program at [www.ancon.co.uk](http://www.ancon.co.uk) or contact Leviat for technical support.

The Ancon design program generates a 16 digit reference code, which can be used to specify/order Shearfix. Alternatively, should you wish to manually specify each rail of studs please use the following referencing system.

e.g AS12-3-150-180

Where,

AS = Shearfix Code  
12 = Stud Diameter (mm)  
3 = Number of studs  
150 = Stud length (mm)  
180 = Stud spacing (mm)

*Note: Rail supplied with end distance equivalent to 0.5d (d = effective slab depth) where spacing is 0.75d (0.6667xspacing). Other end distances available upon request.*

### Building Information Modelling (BIM)

For a BIM Object of the Shearfix system, please visit [www.ancon.co.uk/BIM](http://www.ancon.co.uk/BIM) or the NBS National BIM Library.



### Project Management

Please contact Leviat if you would like help in creating a Shearfix schedule and a programme for delivery to suit progress on site. If advised at the time of ordering, pallets can be packed in priority order e.g by pour number.

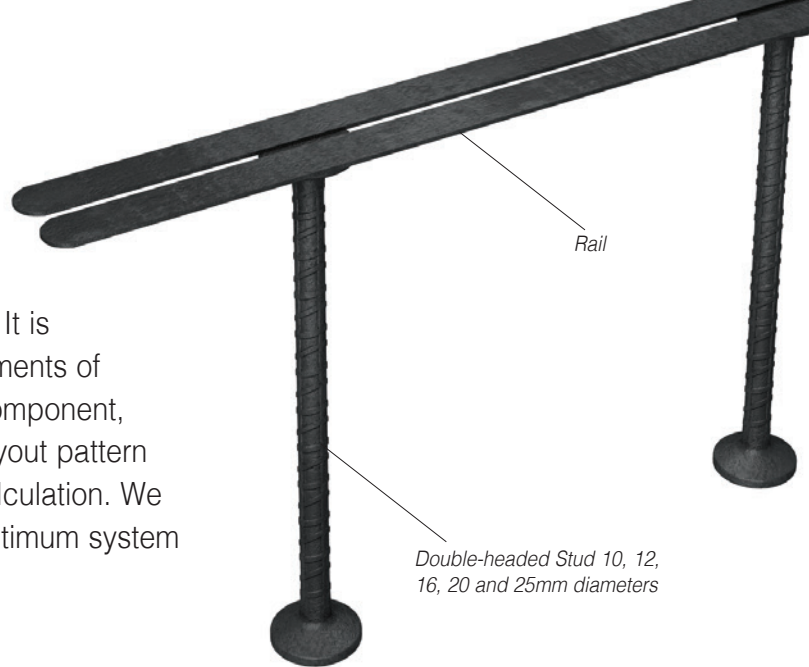
Leviat's 'Reinforcement' division offers a dedicated service to the concrete sector. Contact the team on +44 (0) 114 238 1410 with your Ancon Shearfix enquiry.



Corner column

## System Components

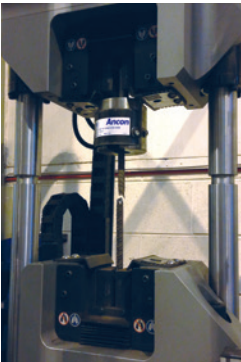
The Ancon Shearfix system comprises double-headed studs welded to flat rails. It is manufactured to suit the specific requirements of each application. The quantity of each component, the dimensions and spacings, and the layout pattern around the column are determined by calculation. We provide free software to determine the optimum system design (see pages 8-9).



### Shearfix Studs

Studs are manufactured in five diameters (10, 12, 16, 20 and 25mm) from CARES-approved B500C reinforcing bar. The heads are hot forged to three times the diameter of the bar. Studs are manufactured in virtually any length to suit the depth of slab, but are normally

formed in increments of 5mm within the 130-1000mm range. The bar used in this system has a characteristic yield strength of 500N/mm<sup>2</sup>. The first and last stud from each production batch is tested in-house to ensure the correct mechanical properties are maintained.



### Shearfix Rails

The studs are welded to the rail at the centres determined by our software or a design calculation. The rail performs no structural function but ensures stud alignment and positioning within the slab.

Shearfix rails are manufactured from strips of steel which are 16mm wide x 3mm thick on studs up to 16mm in diameter and 20mm x 5mm on the larger two stud diameters. The rails feature rounded ends to reduce the risk of injury during handling. The gap between the strips allows for the passage of concrete during pouring and also enables the rail to be nailed through spacers to formwork when fixed 'bottom up' i.e. prior to all other reinforcement.

### Spacer Bars (Optional)

Spacer bars should be used with 'top down' fixing of rails which run parallel to T1 reinforcement. The spacer bars are tied to the main T2 reinforcement where it is necessary to raise the level of the studs as if placed on T1 bars.

### Product Identification

Each rail of studs carries an identification code generated by the Ancon design program. To ensure the products and documentation can be cross-checked, these 16 digit reference codes are used throughout the process from design to installation. They appear on the calculation summary sheet, the DXF layout file, the parts list and on each physical rail when delivered to site.

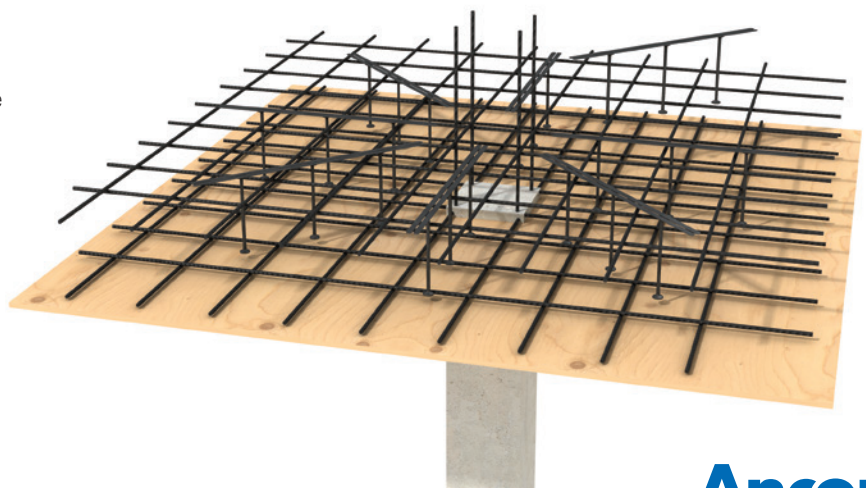
Rails also include other references such as column number or floor level if provided at the time of ordering.



Radial Layout Installation



'Top down' installation. Rail is tied to the main reinforcement



# Shearfix Punching Shear Reinforcement

## Design Information: BS EN 1992 (Eurocode 2)

The design of punching shear reinforcement is typically carried out in accordance with the recommendations contained in BS EN 1992 (Eurocode 2). Shearfix designed to BS EN 1992 can also be applied to structures designed to BS 8110.

The shear stress in the concrete is calculated at the column face and at the basic control perimeter  $u_1$  ( $2d$  from the column face) to determine whether punching shear reinforcement is required.

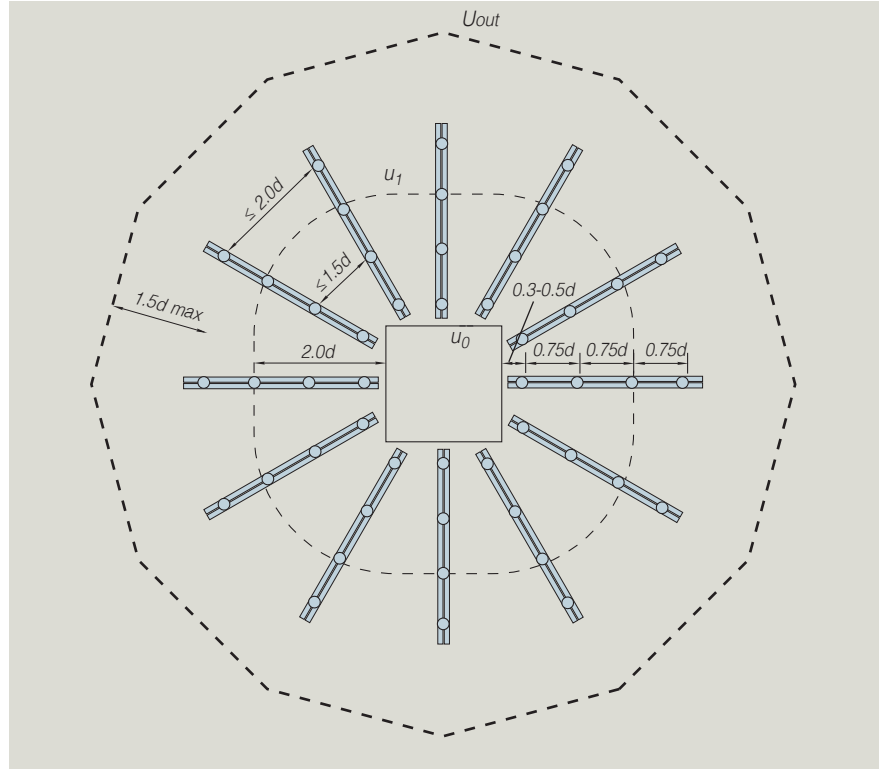
If reinforcement is required, the position of the outer control perimeter at which shear reinforcement is no longer needed ( $u_{out}$ ) is then calculated. Studs are arranged to start at  $0.3d$  or  $0.5d$  from the column face to within  $1.5d$  of the outer control perimeter ( $u_{out}$ ); intermediate studs are positioned at  $0.75d$  centres. The Ancon software defaults to a stud start point of  $0.5d$ , although  $0.3d$  is available as an option.

A radial layout will normally provide the most cost-effective solution and rails can be arranged with either  $30^\circ$  or  $45^\circ$  between them. Cruciform rail layout is also an option. The tangential spacing between studs is kept to within  $1.5d$  for studs within the basic control perimeter ( $u_1$ ) and  $2d$  for studs outside the basic control perimeter; additional secondary rails are added as necessary to comply with this requirement.

For internal, edge and corner columns where lateral stability does not depend on frame action between slabs and columns, and where adjacent spans differ by less than 25%, the recommended  $\beta$  values from BS EN 1992 can be applied to the design shear load  $V_{Ed}$ . However,  $\beta$  values are most accurately determined on a case-by-case basis, taking the column location, geometry and loading conditions into account. In the Ancon software, by applying the moments, the program calculates these  $\beta$  values automatically. Alternatively, the  $\beta$  values can be calculated manually and input directly into the program.

### Openings in the slab

Where there are openings in the slab within  $6d$  of the column face, a section of the slab will



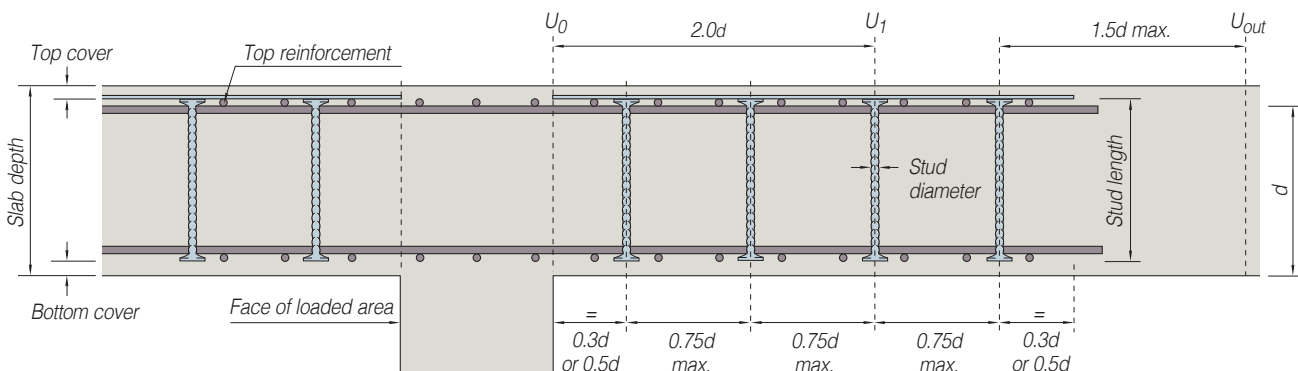
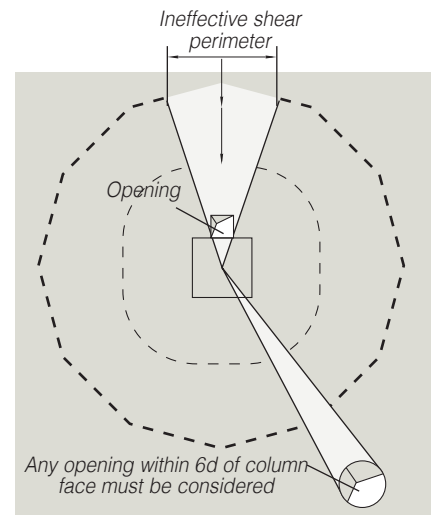
be ineffective and the perimeter lengths will be reduced. A series of rectangular or circular openings can be added around each column using the Ancon design program which then calculates the required punching shear reinforcement.

### Design Manual

An Ancon Shearfix manual to BS EN 1992 (EC2) is available. Contact us for a copy.

### Design Sheet

In addition to the Shearfix design program (see pages 8-9), a design sheet is available to download from [www.ancon.co.uk](http://www.ancon.co.uk), which allows engineers to summarise the critical details of their project and request technical assistance with a Shearfix design.



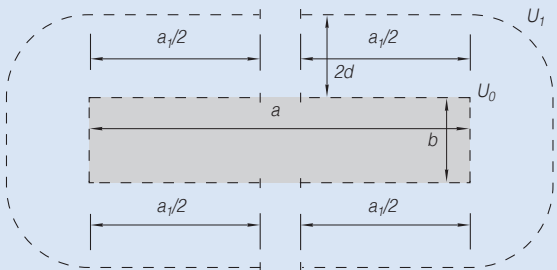


## Large and Elongated Columns

Research<sup>1</sup> suggests that punching shear stresses are greater at column corners than along column edges. This effect is more pronounced for larger or elongated columns. The current Eurocode does not explicitly recognise this effect, although the latest Model Code 2010<sup>2</sup> and other publications do. The only limit in the current Eurocode is the aspect ratio which differentiates a column from a wall, i.e. 1:4 (BS EN 1992-1-1, 9.5.1).

The Ancon design program allows the designer to select between two options for dealing with large and elongated columns: "EC2" and "Best Practice". We recommend "Best Practice" which reflects latest research findings and the rules in the widely-accepted Model Code 2010, as we believe this to produce a more accurate design. Both options provide valid solutions, however there may be differences to the length and number of rails.

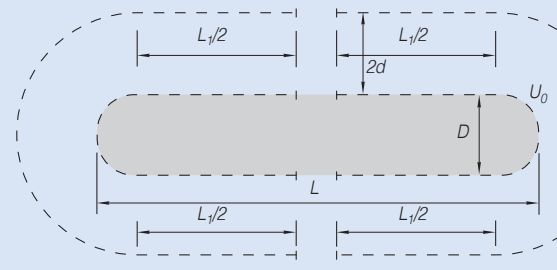
**EC2**



Where:

$$a_1 = \min(a, 4b)$$

$$u_0 = 2a_1 + 2b$$

$$u_1 = 2a_1 + 2b + 4\pi d$$


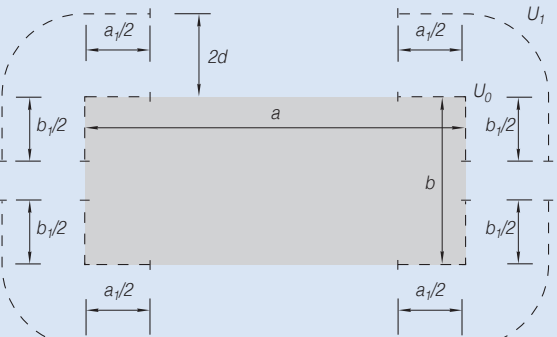
Where:

$$L_1 = \min(L - D, 3D)$$

$$u_0 = 2L_1 + \pi D$$

$$u_1 = 2L_1 + \pi(D + 4d)$$

**Best Practice**

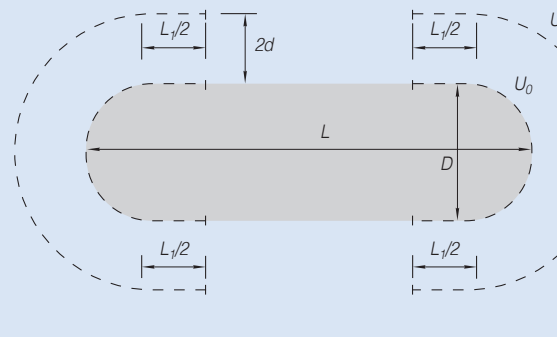


Where:

$$a_1 = \min(a, 4b, 3d)$$

$$b_1 = \min(b, 3d)$$

$$u_0 = 2a_1 + 2b_1$$

$$u_1 = 2a_1 + 2b_1 + 4\pi d$$


Where:

$$L_1 = \min(L - D, 3D, 3d)$$

$$u_0 = 2L_1 + \pi D$$

$$u_1 = 2L_1 + \pi(D + 4d)$$

There is no limit to the perimeter length effective in resisting punching shear of a circular column as a circular column has no ends or corners at which the shear stresses could focus.

<sup>1</sup> Einpaul, J., Bujnak, J., Fernandez Ruiz, M. and Muttoni, A. (2016). "Study on Influence of Column Size and Slab Slenderness on Punching Strength" ACI Structural Journal, V. 113, No. 1, pp. 135-146

<sup>2</sup> fib (2013). 7.3.5 Punching, Model Code for Concrete Structures 2010, pp.227-234

# Shearfix Punching Shear Reinforcement

## Design Program (2018 Version 5 Release)

Shearfix is designed to suit the specific requirements of each application. We provide a free Ancon design program to simplify the specification and ordering of a Shearfix system. An advanced version of this software was released in 2018, version 5.

This easy-to-use program allows the optimum system design to be determined and generates a printable calculation sheet, a DXF file and a parts list of the specified layout. Solutions can be created for a wide range of column sizes, shapes and locations including columns offset from edges and corners.

The following combinations of column shape and location are permissible in the Ancon Shearfix Design Program.

Column location	Column shape		
	Rectangular	Circular	Oval
Internal	✓	✓	✓
Edge	✓	✓	✓
Corner	✓	✓	✓
Re-entrant corner	✓	✓	✗
Wall corner	✓	✗	✗
Wall end	✓	✗	✗

The program allows analysis to BS EN 1992 (Eurocode 2).

Where there are openings close to the column, a section of the slab will be ineffective and perimeters will need to be reduced; the Ancon design program allows these reductions to be applied to each perimeter.

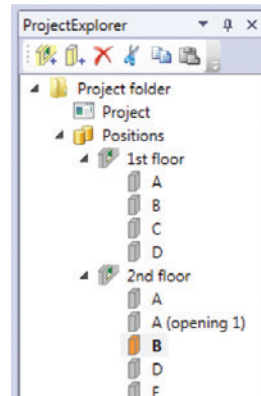
The program requires the following information and is requested in a logical sequence as the user works through the 'input' tabs:

- Column shape (circular, rectangular or oval)
- Column dimensions
- Column location (interior, edge, external corner, re-entrant corner, wall corner, wall end)
- Dimension to concrete edge (for offset corner and edge columns)
- Slab thickness
- Concrete grade
- Reinforcement size and spacing
- Cover to reinforcement
- Size and location of slab openings
- Shear load
- Applied moments

This free program can be downloaded from [www.ancon.co.uk](http://www.ancon.co.uk) or emailed on request. Contact us on +44 (0) 114 275 5224 or [info.ancon.uk@leviat.com](mailto:info.ancon.uk@leviat.com)

## Latest Features of the Ancon Shearfix Design Program

### Project Management



The Ancon Shearfix Design Program contains a calculation management tool, allowing multiple column locations to be designed within a single project file. The calculations can be arranged in a system of sub-directories to ease project management. When exporting design information, any number of column locations can be included in a bulk export as a PDF calculation report, a DXF file or a PDF parts list.

### Automatic $\beta$ Value Calculation

The load eccentricity factor,  $\beta$ , can be automatically calculated for any column shape or location, provided that the designer inputs the applied design moments.

### Interactive 2D Graphic Display

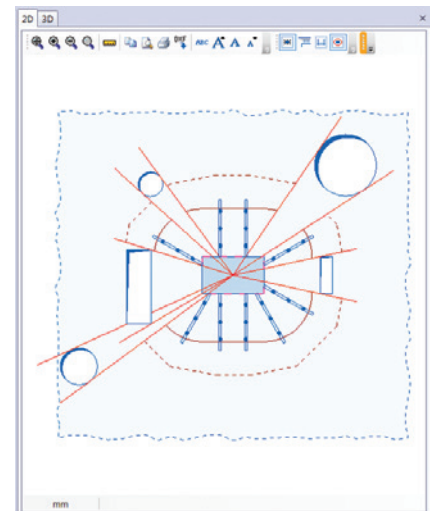
A clear 2D graphic automatically updates as data is entered, illustrating the column and opening dimensions, and the locations of openings relative to the column. Each dimension can be edited via the 2D graphic or via the main input window. Furthermore, it is possible to 'grab and drop' the openings via the 2D graphic.

### Slab Openings

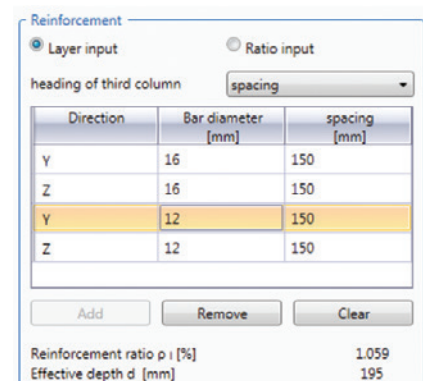
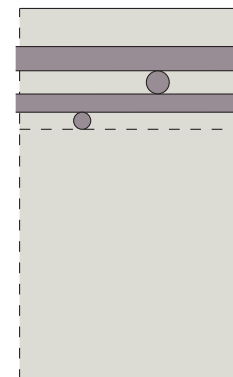
Any number of rectangular and circular slab openings can be applied to a design calculation and the software arranges the design solution to suit.

### Slab Reinforcement

Where structures contain multiple layers of tensile slab reinforcement, the software will automatically calculate the effective slab depth and reinforcement ratio associated with these (a maximum of two layers of tensile reinforcement in each orthogonal direction can be accommodated).



Example of multiple openings



Example of multiple reinforcement layers

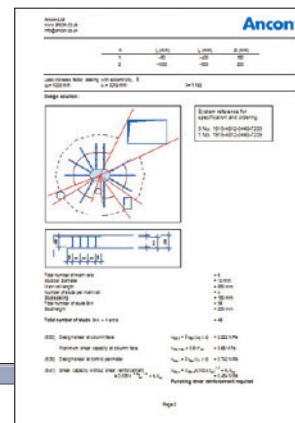
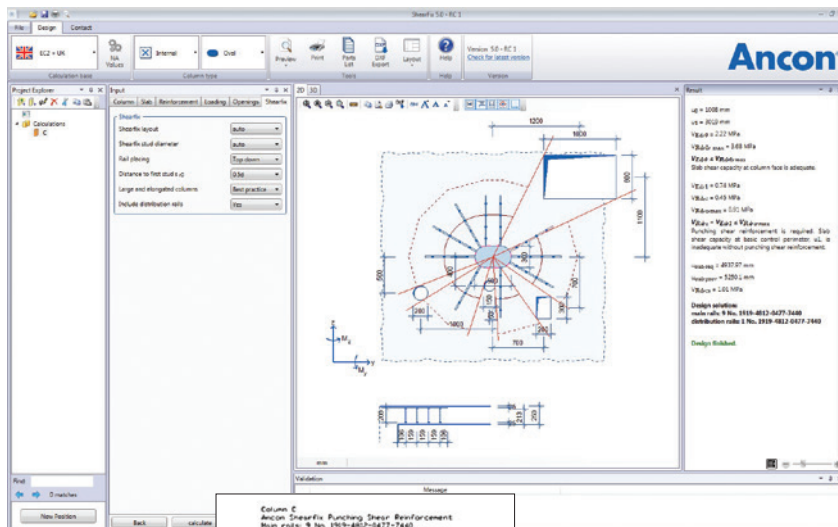
### Help File

A help file can be accessed by clicking the 'Help' icon within the design program or call us on +44 (0) 114 238 1410 for advice.



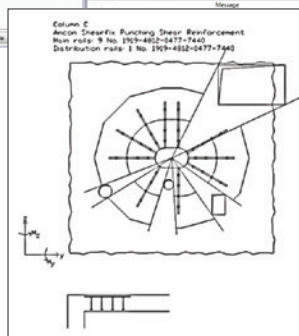


## Radial Design Example

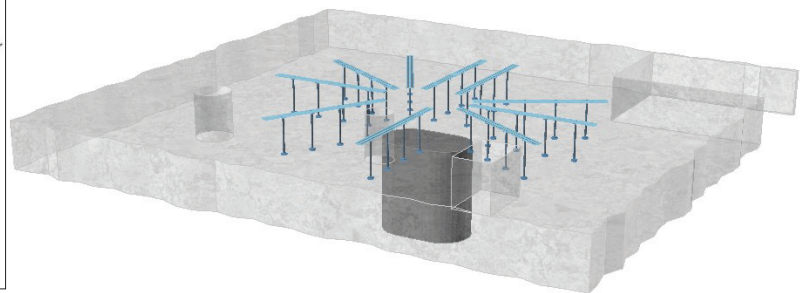


The PDF datasheet generated

Screenshot of an oval, internal column with a radial stud layout

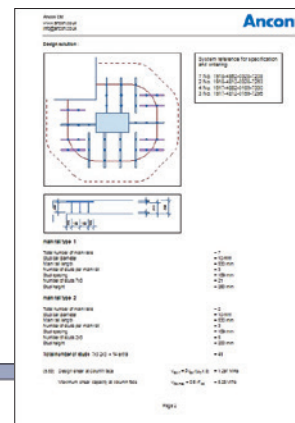
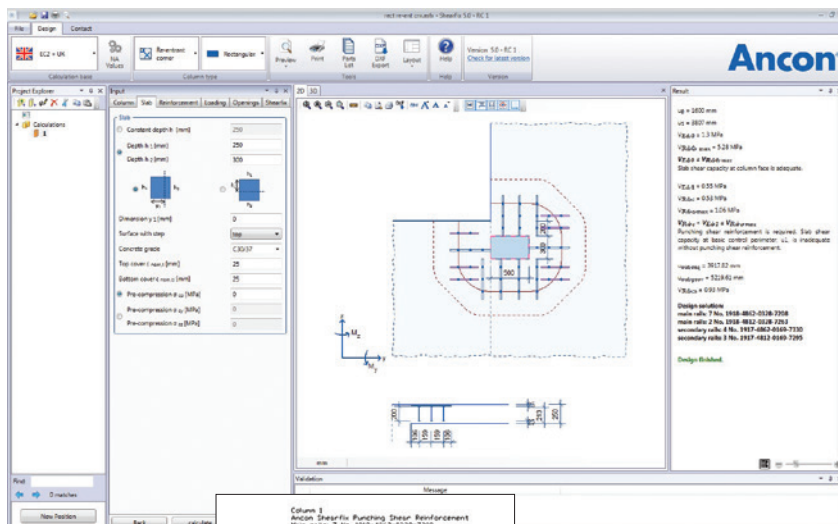


The DXF file generated



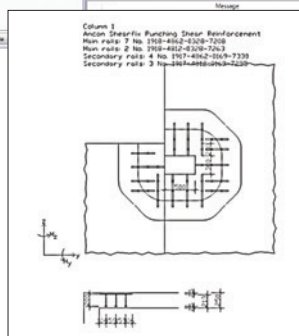
3D view in software

## Cruciform Design Example

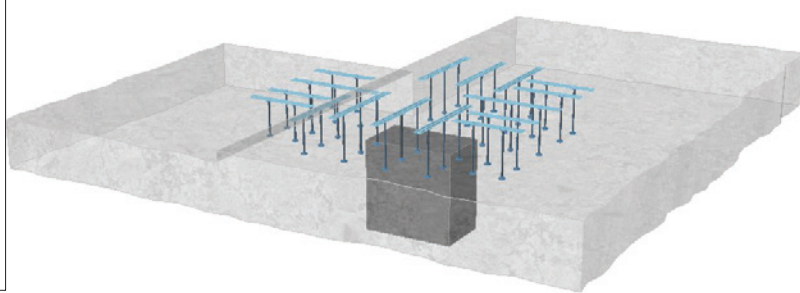


The PDF datasheet generated

Screenshot of a rectangular column at a re-entrant corner, with a cruciform stud layout



The DXF file generated



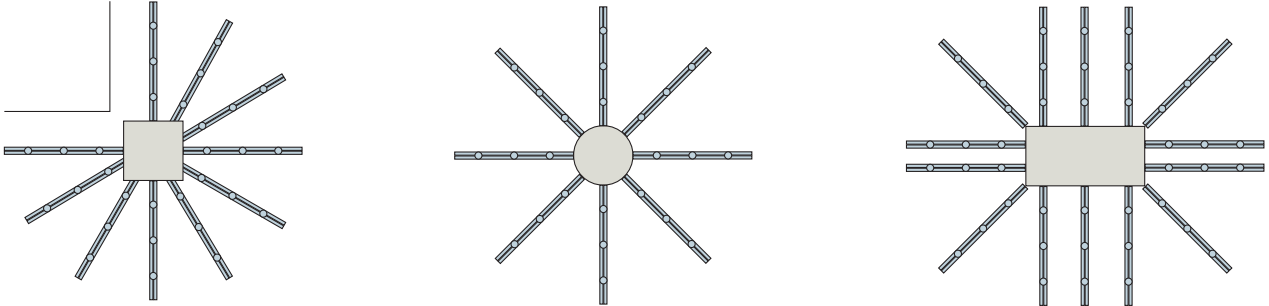
3D view in software

# Shearfix Punching Shear Reinforcement

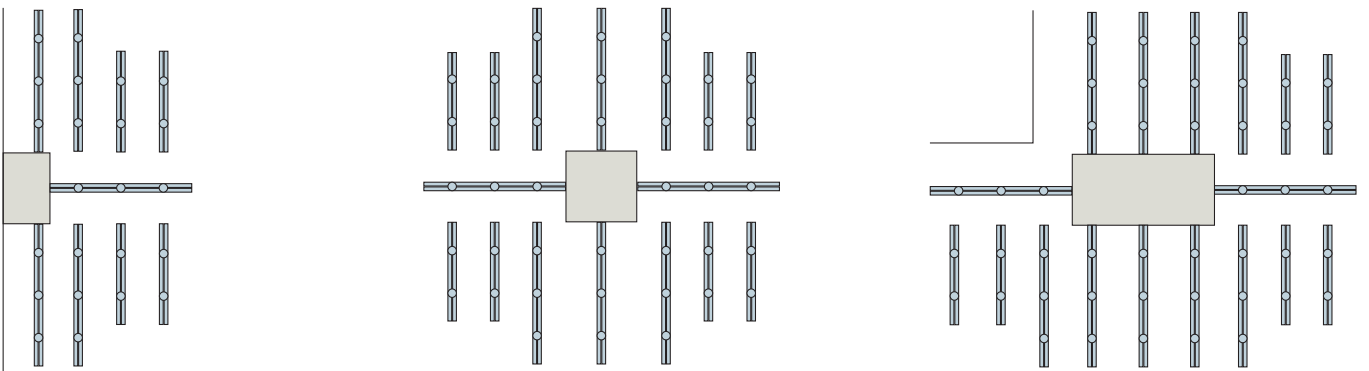
## Typical Rail Arrangements

Shearfix is suitable for a wide range of column shapes and locations. Some typical arrangements are shown here.

### Radial Layouts



### Cruciform Layouts



## Installation Procedure

Ancon Shearfix is quick and simple to install. It can be fitted either 'top down' (after all other reinforcement) or 'bottom up' (prior to other reinforcement).

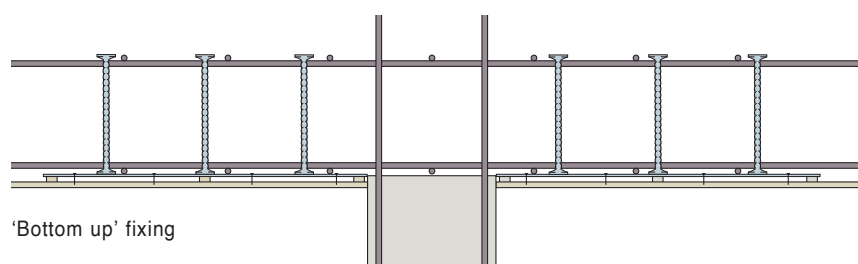
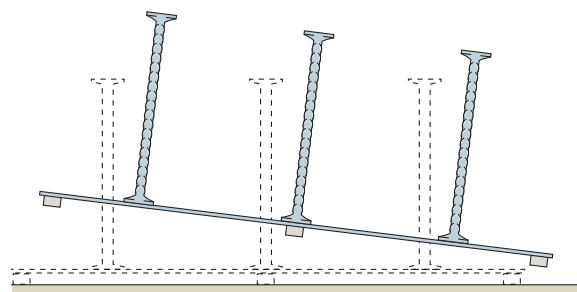
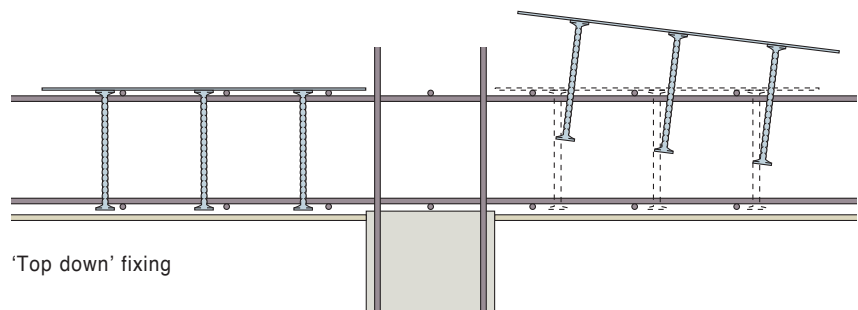
### 'Top Down' Fixing

- Fix all main reinforcement in position
- Place Shearfix rails around the column to the layout detailed on job drawings by passing the studs through the reinforcement grid and resting the carrier rails on the top layer of reinforcement. Use spacer bars where required – see page 5 for details

- Tie rails with wire to main reinforcement and pour concrete

### 'Bottom Up' Fixing

- Tie rails with wire to concrete spacers in order to maintain cover
- Place rail and spacer units around the column to the layout detailed on job drawings
- Hammer nails through gap in rails to fix the system to formwork
- Fix main reinforcement in position and pour concrete taking care not to displace the studs





## Applications



Photo: University of Derby

Markeaton Street, Derby, UK



Photo: Joas Souza

Riverlight, London, UK



Photo: Donal McCann

Ulster Hospital, Belfast, Northern Ireland

## Other Ancon Products

### Reinforcing Bar Couplers

The use of reinforcing bar couplers can provide significant advantages over lapped joints. Design and construction of the concrete can be simplified and the amount of reinforcement required can be reduced. The Ancon range includes parallel threaded, tapered threaded, mechanically bolted and grouted couplers.



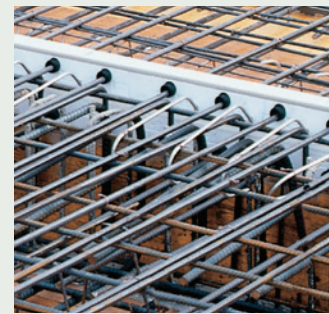
### Reinforcement Continuity Systems

Ancon Eazistrip is approved by UK CARES and consists of bent bars housed in a galvanised steel casing. Once installed, the protective cover is removed and the bars are straightened, ready for joining to the slab reinforcement. Alternatively, Ancon KSN Anchors are cast into the wall and, when the formwork and thread protection are removed, Bartec Plus threaded rebars are simply screwed into the anchors.



### Insulated Balcony Connectors

Thermally insulated Ancon connectors minimise heat loss at balcony locations while maintaining structural integrity. They provide a thermal break and most also provide local insulation at the joint. As a critical structural component they transfer moment, shear, tension and compression forces. Standard solutions are available for concrete-to-concrete, steel-to-concrete and steel-to-steel applications.



### Shear Load Connectors

Ancon DSD and ESD Shear Load Connectors are used to transfer shear across expansion and contraction joints in concrete. They are more effective at transferring load and allowing movement to take place than standard dowels, and can be used to eliminate double columns at structural movement joints in buildings.



### Channel and Bolt Fixings

We offer a wide range of Ancon channels and bolts in order to fix stainless steel masonry support, restraints and windposts to structural frames. Cast-in channels and expansion bolts are used for fixing to the edges of concrete floors and beams.



### Special Fabrications

Leviat designs and manufactures high integrity Ancon steel components for a wide range of industries including Civil Engineering, Building, Infrastructure, Water Treatment, Nuclear and Mining. Projects are supplied worldwide and range from small-scale residential developments to major infrastructure projects.







**Leviat<sup>®</sup>**  
A CRH COMPANY

Innovative engineered products and construction solutions that allow the industry to build safer, stronger and faster.





## Worldwide contacts for Leviat:

### Australia

**Leviat**  
98 Kurrajong Avenue,  
Mount Druitt Sydney, NSW 2770  
Tel: +61 - 2 8808 3100  
Email: info.au@leviat.com

### Austria

**Leviat**  
Leonard-Bernstein-Str. 10  
Saturn Tower, 1220 Wien  
Tel: +43 - 1 - 259 6770  
Email: info.at@leviat.com

### Belgium

**Leviat**  
Borkelstraat 131  
2900 Schoten  
Tel: +32 - 3 - 658 07 20  
Email: info.be@leviat.com

### China

**Leviat**  
Room 601 Tower D, Vantone Centre  
No. A6 Chao Yang Men Wai Street  
Chaoyang District  
Beijing · P.R. China 100020  
Tel: +86 - 10 5907 3200  
Email: info.cn@leviat.com

### Czech Republic

**Leviat**  
Business Center Šafránková  
Šafránková 1238/1  
155 00 Praha 5  
Tel: +420 - 311 - 690 060  
Email: info.cz@leviat.com

### Finland

**Leviat**  
Vädursgatan 5  
412 50 Göteborg / Sweden  
Tel: +358 (0)10 6338781  
Email: info.fi@leviat.com

### France

**Leviat**  
6, Rue de Cabanis  
FR 31240 L'Union  
Toulouse  
Tel: +33 - 5 - 34 25 54 82  
Email: info.fr@leviat.com

### Germany

**Leviat**  
Liebigstrasse 14  
40764 Langenfeld  
Tel: +49 - 2173 - 970 - 0  
Email: info.de@leviat.com

### India

**Leviat**  
309, 3rd Floor, Orion Business Park  
Ghodbunder Road, Kapurbawdi,  
Thane West, Thane,  
Maharashtra 400607  
Tel: +91 - 22 2589 2032  
Email: info.in@leviat.com

### Italy

**Leviat**  
Via F.lli Bronzetti 28  
24124 Bergamo  
Tel: +39 - 035 - 0760711  
Email: info.it@leviat.com

### Malaysia

**Leviat**  
28 Jalan Anggerik Mokara 31/59  
Kota Kemuning, 40460 Shah Alam  
Selangor  
Tel: +603 - 5122 4182  
Email: info.my@leviat.com

### Netherlands

**Leviat**  
Oostermaat 3  
7623 CS Borne  
Tel: +31 - 74 - 267 14 49  
Email: info.nl@leviat.com

### New Zealand

**Leviat**  
2/19 Nuttall Drive, Hillsborough,  
Christchurch 8022  
Tel: +64 - 3 376 5205  
Email: info.nz@leviat.com

### Norway

**Leviat**  
Vestre Svanholmen 5  
4313 Sandnes  
Tel: +47 - 51 82 34 00  
Email: info.no@leviat.com

### Philippines

**Leviat**  
2933 Regus, Joy Nostalg,  
ADB Avenue  
Ortigas Center  
Pasig City  
Tel: +63 - 2 7957 6381  
Email: info.ph@leviat.com

### Poland

**Leviat**  
Ul. Obornicka 287  
60-691 Poznan  
Tel: +48 - 61 - 622 14 14  
Email: info.pl@leviat.com

### Singapore

**Leviat**  
14 Benoi Crescent  
Singapore 629977  
Tel: +65 - 6266 6802  
Email: info.sg@leviat.com

### Spain

**Leviat**  
Polígono Industrial Santa Ana  
c/ Ignacio Zuloaga, 20  
28522 Rivas-Vaciamadrid  
Tel: +34 - 91 632 18 40  
Email: info.es@leviat.com

### Sweden

**Leviat**  
Vädursgatan 5  
Grenzstrasse 24  
Tel: +46 - 31 - 98 58 00  
Email: info.se@leviat.com

### Switzerland

**Leviat**  
Hertistrasse 25  
3250 Lyss  
Tel: +41 - 31 750 3030  
Email: info.ch@leviat.com

### United Kingdom

**Leviat**  
President Way, President Park,  
Sheffield, S4 7UR  
Tel: +44 - 114 275 5224  
Email: info.uk@leviat.com

### United States of America

**Leviat**  
6467 S Falkenburg Rd.  
Riverview, FL 33578  
Tel: (800) 423-9140  
Email: info.us@leviat.us

### For countries not listed

Email: info@leviat.com

**Leviat.com**

#### Notes regarding this catalogue

© Protected by copyright. The construction applications and details provided in this publication are indicative only. In every case, project working details should be entrusted to appropriately qualified and experienced persons. Whilst every care has been exercised in the preparation of this publication to ensure that any advice, recommendations or information is accurate, no liability or responsibility of any kind is accepted by Leviat for inaccuracies or printing errors. Technical and design changes are reserved. With a policy of continuous product development, Leviat reserves the right to modify product design and specification at any time.



For more information on these products, contact:

**Leviat**

President Way  
President Park  
Sheffield, S4 7UR  
United Kingdom

Tel: +44 (0) 114 275 5224

Fax: +44 (0) 114 276 8543

Email: [info.ancon.uk@leviat.com](mailto:info.ancon.uk@leviat.com)

For sales and technical enquiries:

Email: [reinforcement.uk@leviat.com](mailto:reinforcement.uk@leviat.com)

[Ancon.co.uk](http://Ancon.co.uk)

[Leviat.com](http://Leviat.com)