



Ancon[®]

Refractory Fixings

for the Heat Treatment Industry



We are one team. **We are Leviat.**

Leviat is the new name of CRH's construction accessories companies worldwide.

Under the Leviat brand, we have united the expertise, skills and resources of Ancon and its sister companies to create a world leader in fixing, connecting and anchoring technology.

The products you know and trust will remain an integral part of Leviat's comprehensive brand and product portfolio. As Leviat, we can offer you an extended range of specialist products and services, greater technical expertise, a larger and more agile supply chain and better, faster innovation.

By bringing together CRH's construction accessories family as one global organisation, we are better equipped to meet the needs of our customers, and the demands of construction projects, of any scale, anywhere in the world.

This is an exciting change. Join us on our journey.

Read more about Leviat at [Leviat.com](https://www.leviat.com)



Our product brands include:

Ancon[®]

HALFEN

HELIFIX

ISEDIO

PLAKA



60

locations

sales in
30+
countries

3000

people worldwide

Imagine. Model. Make.

Leviat.com

Refractory Fixings

For the Heat Treatment Industry

Leviat manufactures Ancon fixings for most types of insulation material, such as fibre linings, castable linings and refractory bricks. Standard fixings are available in stainless steel grades 1.4301 (304) and 1.4845 (310), and Inconel 601. Other grades of stainless steel, mild steels and alloys are also available.

We are pleased to advise on the correct selection of fixings and also provides a quick response to quotation requests.

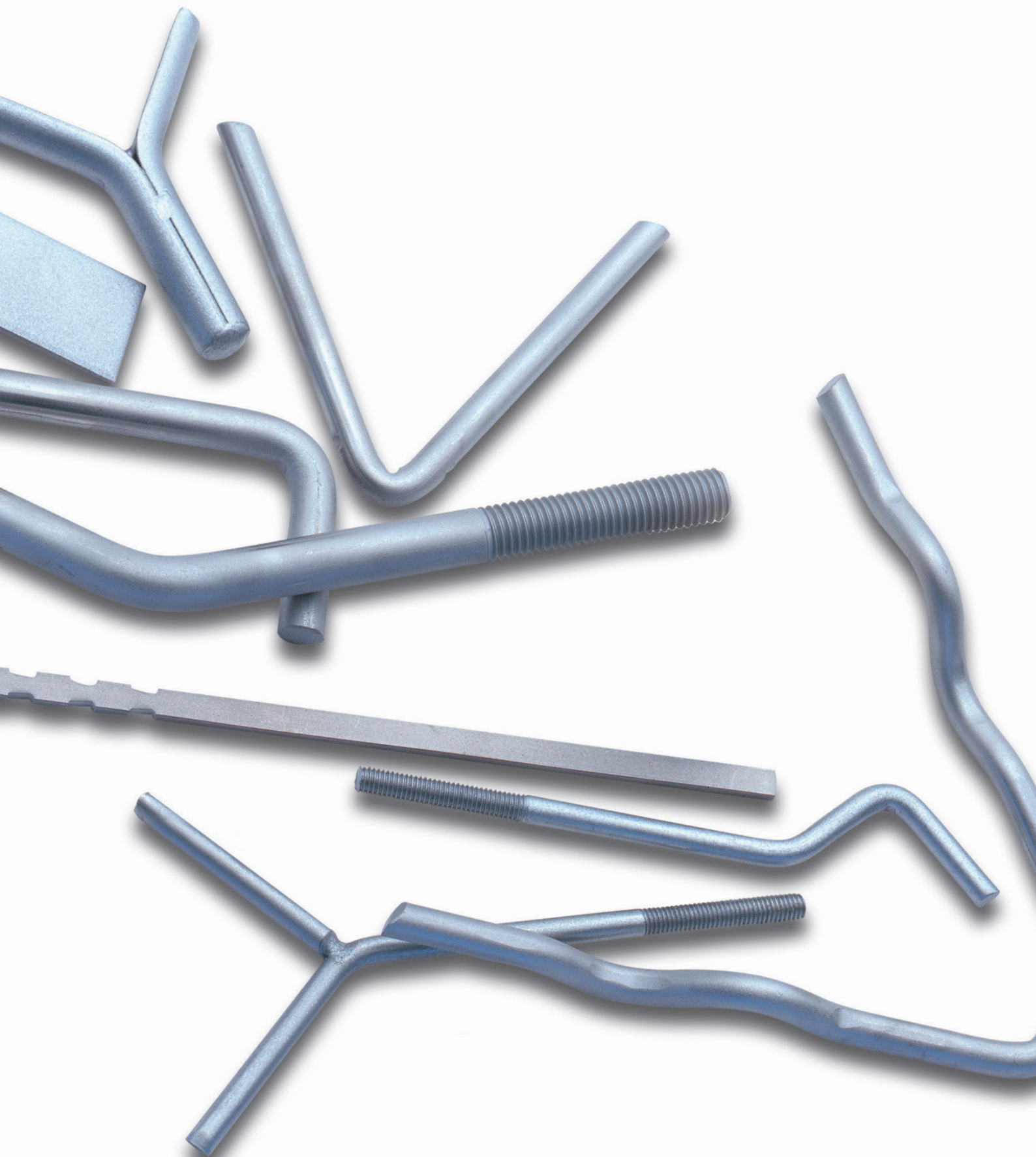


ISO 9001, ISO 14001
& ISO 45001



Contents

<u>Materials</u>	<u>4</u>	<u>Anchors for Brick Installation</u>	<u>6</u>
<u>Stainless Steel at Elevated Temperatures</u>	<u>4</u>	<u>Bespoke Anchors</u>	<u>6</u>
<u>Material Specification</u>	<u>4</u>	<u>Mesh Anchors</u>	<u>6</u>
<u>Using Stainless Steel at High Temperatures</u>	<u>4</u>	<u>Special Fabrications</u>	<u>6</u>
<u>Refractory Anchor Systems</u>	<u>5</u>	<u>Ceramic Fibre Fixing Systems</u>	<u>7</u>
<u>Cast-in Anchors</u>	<u>5</u>		



Refractory Fixings

Materials

Leviat manufactures Ancon refractory anchors and fibre fixing systems to exacting tolerances in a wide range of stainless steel and higher alloys. Standard fixings are available in stainless steel grade 1.4301 (304) and grade 1.4845 (310), and Inconel 601. Other grades of stainless steel, mild steels and alloys are available to suit requirements, including Stainless Steel grade 1.4401 (316).

Stainless Steel at Elevated Temperatures

Standard Stainless Steels provide corrosion resistance in a number of aggressive situations. They also provide very good oxidation and scaling resistance at elevated temperatures.

In situations where standard steels reach their temperature limits, higher alloy and specially designed stainless steels provide a combination of increased strength and oxidation resistance, extending the useful working range up to higher temperatures around 1200°C.

Specification	Type 304	Type 310	Inconel™ Alloy 601
Nearest Werkstoff	1.4301	1.4845	-
Maximum service temp. under certain conditions	800°C	1100°C	1150-1230°C
Melting point	1440°C	1490°C	1300-1375°C

Notes: Inconel™ is a trademark of INCO Ltd

Typical Chemical Specification (%)

Specification	Type 304	Type 310	Inconel Alloy 601	Type 309	Type 316	Type 321	330 Alloy	600 Alloy	800H Alloy
Euronorm/ Werkstoff Ref	1.4301	1.4845	-	1.4833	1.4401	1.4878	-	-	-
C	0.040	0.050	0.500	0.060	0.040	0.050	0.060	0.050	0.060
S	0.20 - 1.00	0.20 - 1.00	0.500	1.000	1.000	1.000	1.750	0.500	1.000
Mn	0.50 - 2.00	0.50 - 2.00	1.000	2.000	2.000	2.000	2.000	1.000	1.500
P (Max)	0.045	0.045	-	0.450	0.045	0.045	0.400	0.015	-
S (Max)	0.030	0.030	0.015	0.030	0.030	0.030	0.300	0.015	-
Cr	18.30	25.00	21.00 - 24.00	22.50	16.80	17.30	19.000	14.00 - 17.00	19.00 - 23.00
Al	-	-	1.00 - 1.70	-	-	-	-	-	0.15 - 0.60
Ni	8.70	20.00	58.00 - 63.00	12.50	10.70	9.20	35.000	72.000	30.00 - 35.00
Others	-	-	Cu 0.5 Bal Fe	-	-	Ti less than /equal to 5 x C	-	Cu 0.5	Cu 0.75 max S=0.015 max Al + Ti=0 x 85-1.20
Mo	-	-	-	-	2.20	-	-	-	-
Ti	-	-	0.500	-	-	-	-	-	0.10 - 0.60

Material Specification

Refractory fixings are available in a range of stainless steels and higher alloys:

Grade 1.4301 (304) (18/8)

The most widely used stainless steel grade containing typically 18% Chromium and 8% Nickel as the main alloying elements. This grade has excellent welding properties and is easily formed and fabricated.

Grade 310

A heat resisting steel that combines excellent resistance to both corrosion and oxidation at elevated temperatures. It is resistant to moderate thermal shock and shows high strength at high temperatures.

Inconel Alloy 601

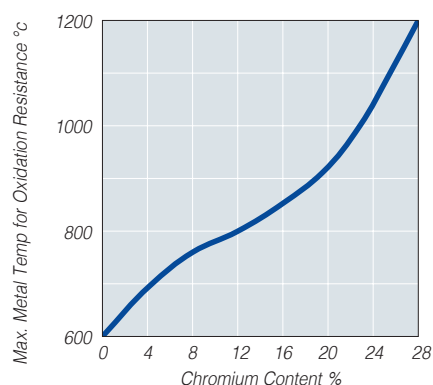
Inconel 601 has an outstanding resistance to corrosion and to high temperature oxidation. The material also has good resistance to aqueous corrosion and high mechanical strength.

Other Grades

Refractory fixings can be supplied in other grades on request, including Stainless Steel grade 1.4401 (316). Please contact us for more details.

Using Stainless Steel at High Temperatures

The resistance to oxidation of stainless steel depends largely on the chromium content. Two other alloying elements, nickel and silicon, can also be instrumental in enhancing the oxidation resistance of the steels. Nickel in the alloy minimises oxide spalling. Silicon increases oxidation resistance by improving the compaction of the scale formed and thereby allows the steel to be used at higher operating temperatures. Corrosion in air or steam occurs relatively slowly due to the formation of a compact adherent chromium oxide based scale.



Effect of Chromium Content in Steel on the Resistance to Oxidising Products of Combustion

Refractory Anchor Systems

Leviat manufactures a wide range of Ancon refractory anchor fixings to suit any particular application for retaining castable and brick installations.

- Refractory Anchors
- Refractory Brick Fixings
- Special Fixings and Special Fabrications

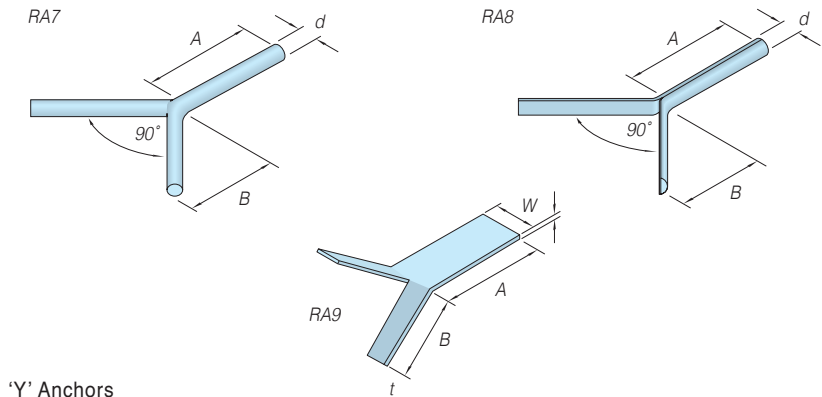
Manufactured from round bar or plate section, the anchors are available in a number of standard shapes. They are fixed with a thread or a weld, and can be supplied with a weld foot. The fixings are available in the full range of stainless steels and alloys, and can be made to suit any depth of lining.

Cast-in Anchors

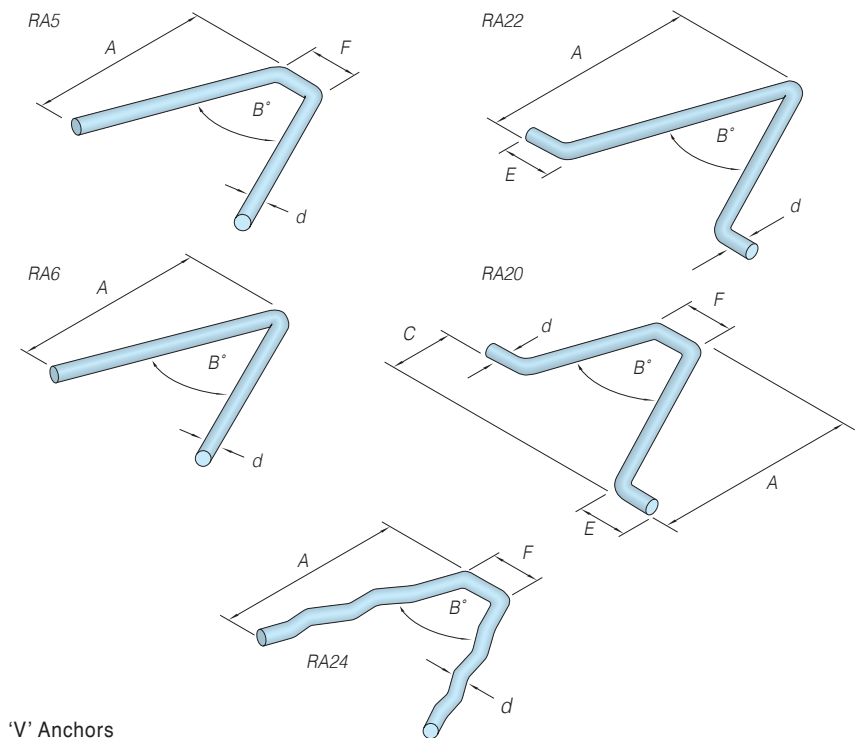
'Y' Anchors

These anchors are manufactured from 5-12mm diameter bar or from plate section. 'Y' anchors made from round bar can be supplied open to any angle, with a plain end, weld leg or thread. The tips can be fitted with plastic caps to enable expansion of the tips at temperature.

'Y' anchors from plate section can be supplied open to any angle, or supplied closed for installation of pre-drilled fibreboard or other initial layers prior to opening on site. Anchors can also be supplied pre-welded to a mild steel base plate for ease of installation on site.



'Y' Anchors



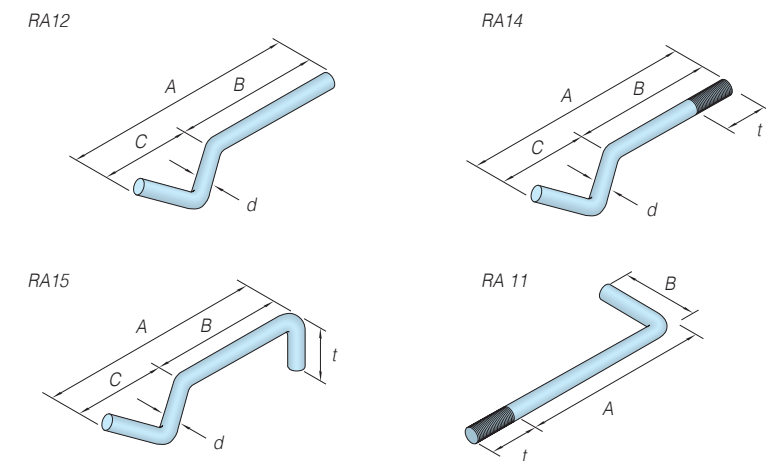
'V' Anchors

'V' Anchors

Manufactured from bar diameter 5-12mm. The anchor legs can be supplied to individual requirements with odd lengths, with bends or crimps, and with plastic end caps.

Crook Anchors

Crook anchors are manufactured from 5-12mm diameter bar. The crook is available with a span of 75mm, 100mm or 125mm. Crook anchors can be supplied with a plain end, weld leg, thread or bent to fit a pre-welded cleat.



Crook Anchors

Refractory Fixings

Anchors for Brick Installation

A range of refractory fixings for brick installations is available. The anchors are designed to fit refractory bricks, and can be made to customers' specifications to suit any furnace brick. The range includes brick hooks made from bar, C-clips manufactured from plate and 'scissor clips'.

Bespoke Anchors

Bespoke refractory anchors can be made to order, including two part anchors and fixings with multiple anchor legs. Please contact us with your requirements.

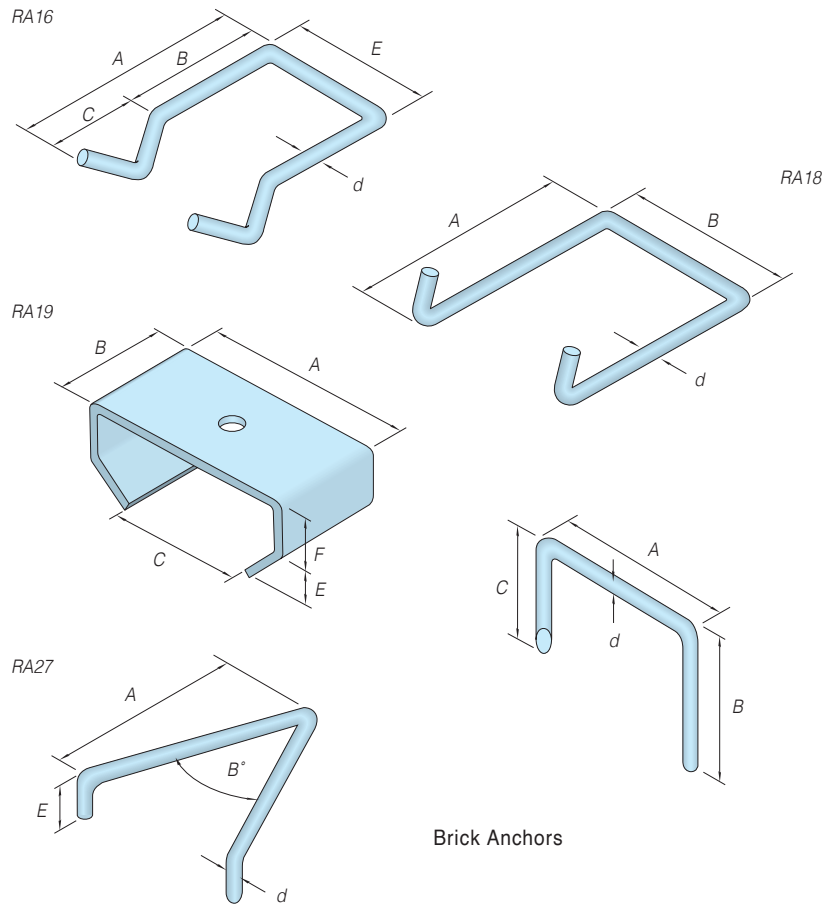
Mesh Anchors

A mesh fixing is available for retaining mesh lining. The fixing is supplied open, and is welded to the furnace lining.

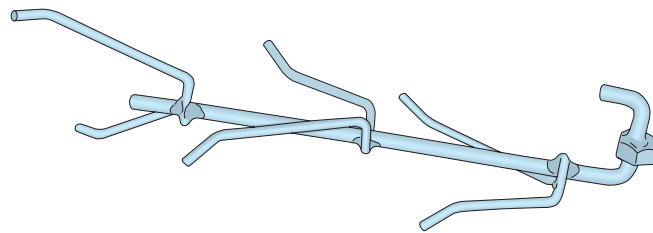
Special Fabrications

We have many years experience producing special fabrications to individual customer requirements. Bespoke stainless steel refractory fabrications can be designed and manufactured to operate in high temperature environments. These include brickwork support systems for chimney and furnace applications, and incineration components.

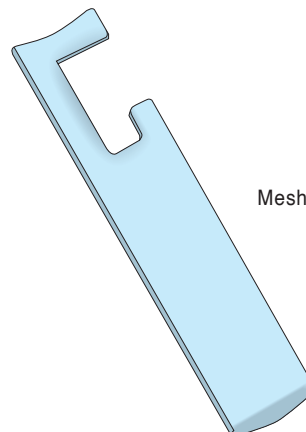
Advanced manufacturing equipment and a substantial raw material stock are available to provide a consistently high level of service.



Brick Anchors



Bespoke Anchor



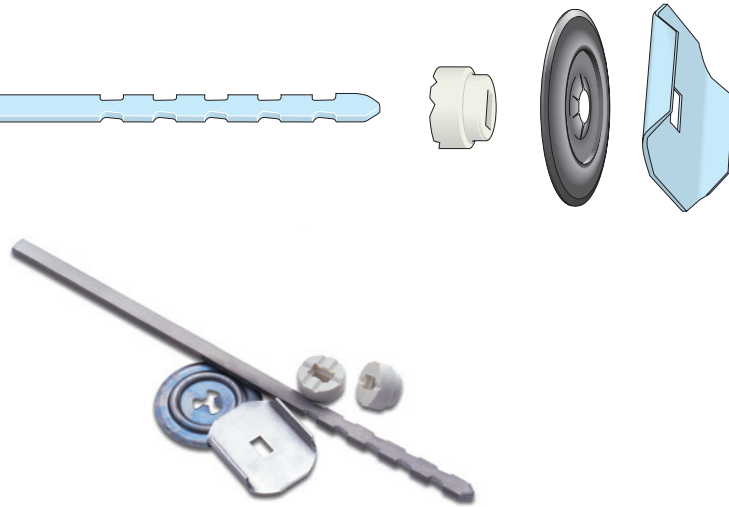
Mesh Retainer

Ceramic Fibre Fixing Systems

A range of fixing systems is available for retaining ceramic fibre layers onto the furnace casing. Fixing studs can be supplied with a plain end or with a weld foot if required.

Twistlock System

Twistlock is a fixing system for ceramic fibre blankets. The standard set comprises a twistlock stud, ceramic arc shield, carbon steel speedfix washer, and a stainless steel twistlock washer. The system provides fast, simple, and secure retention of the lining. The twistlock stud is manufactured from 6.35 x 3.18mm section in lengths from 40mm with notches to retain the twistlock stainless steel washer.



Threaded Fixing System

The threaded fixing system is used for new installations and repairs to existing plant. The standard set comprises an M5 threaded stud, ceramic arc shield, carbon steel speedfix washer, stainless steel clearance washer and M5 hex nut to hold the washer in place. The studs are available in any length from 40mm, and can be supplied fully threaded, threaded one or both ends, and incorporating a weld foot.

Threaded sets are also available in non-standard sizes as M6, M8, M10, M12 and M16.





Leviat[®]
A CRH COMPANY

Innovative engineered products and construction solutions that allow the industry to build safer, stronger and faster.



Worldwide contacts for Leviat:

Australia

Leviat
98 Kurrajong Avenue,
Mount Druitt Sydney, NSW 2770
Tel: +61 - 2 8808 3100
Email: info.au@leviat.com

Austria

Leviat
Leonard-Bernstein-Str. 10
Saturn Tower, 1220 Wien
Tel: +43 - 1 - 259 6770
Email: info.at@leviat.com

Belgium

Leviat
Industrielaan 2
1740 Ternat
Tel: +32 - 2 - 582 29 45
Email: info.be@leviat.com

China

Leviat
Room 601 Tower D, Vantone Centre
No. A6 Chao Yang Men Wai Street
Chaoyang District
Beijing · P.R. China 100020
Tel: +86 - 10 5907 3200
Email: info.cn@leviat.com

Czech Republic

Leviat
Business Center Šafránková
Šafránková 1238/1
155 00 Praha 5
Tel: +420 - 311 - 690 060
Email: info.cz@leviat.com

Finland

Leviat
Vädursgatan 5
412 50 Göteborg / Sweden
Tel: +358 (0)10 6338781
Email: info.fi@leviat.com

France

Leviat
6, Rue de Cabanis
FR 31240 L'Union
Toulouse
Tel: +33 - 5 - 34 25 54 82
Email: info.fr@leviat.com

Germany

Leviat
Liebigstrasse 14
40764 Langenfeld
Tel: +49 - 2173 - 970 - 0
Email: info.de@leviat.com

India

Leviat
309, 3rd Floor, Orion Business Park
Ghodbunder Road, Kapurbawdi,
Thane West, Thane,
Maharashtra 400607
Tel: +91 - 22 2589 2032
Email: info.in@leviat.com

Italy

Leviat
Via F.lli Bronzetti 28
24124 Bergamo
Tel: +39 - 035 - 0760711
Email: info.it@leviat.com

Malaysia

Leviat
28 Jalan Anggerik Mokara 31/59
Kota Kemuning, 40460 Shah Alam
Selangor
Tel: +603 - 5122 4182
Email: info.my@leviat.com

Netherlands

Leviat
Oostermaat 3
7623 CS Borne
Tel: +31 - 74 - 267 14 49
Email: info.nl@leviat.com

New Zealand

Leviat
2/19 Nuttall Drive, Hillsborough,
Christchurch 8022
Tel: +64 - 3 376 5205
Email: info.nz@leviat.com

Norway

Leviat
Vestre Svanholmen 5
4313 Sandnes
Tel: +47 - 51 82 34 00
Email: info.no@leviat.com

Philippines

Leviat
2933 Regus, Joy Nostalg,
ADB Avenue
Ortigas Center
Pasig City
Tel: +63 - 2 7957 6381
Email: info.ph@leviat.com

Poland

Leviat
Ul. Obornicka 287
60-691 Poznań
Tel: +48 - 61 - 622 14 14
Email: info.pl@leviat.com

Singapore

Leviat
14 Benoi Crescent
Singapore 629977
Tel: +65 - 6266 6802
Email: info.sg@leviat.com

Spain

Leviat
Polígono Industrial Santa Ana
c/ Ignacio Zuloaga, 20
28522 Rivas-Vaciamadrid
Tel: +34 - 91 632 18 40
Email: info.es@leviat.com

Sweden

Leviat
Vädursgatan 5
412 50 Göteborg
Tel: +46 - 31 - 98 58 00
Email: info.se@leviat.com

Switzerland

Leviat
Grenzstrasse 24
3250 Lyss
Tel: +41 - 31 750 3030
Email: info.ch@leviat.com

United Arab Emirates

Leviat
RA08 TB02, PO Box 17225
JAFZA, Jebel Ali, Dubai
Tel: +971 (0)4 883 4346
Email: info.ae@leviat.com

United Kingdom

Leviat
President Way, President Park,
Sheffield, S4 7UR
Tel: +44 - 114 275 5224
Email: info.uk@leviat.com

United States of America

Leviat
6467 S Falkenburg Rd.
Riverview, FL 33578
Tel: (800) 423-9140
Email: info.us@leviat.us

For countries not listed

Email: info@leviat.com

Leviat.com

Notes regarding this catalogue

© Protected by copyright. The construction applications and details provided in this publication are indicative only. In every case, project working details should be entrusted to appropriately qualified and experienced persons. Whilst every care has been exercised in the preparation of this publication to ensure that any advice, recommendations or information is accurate, no liability or responsibility of any kind is accepted by Leviat for inaccuracies or printing errors. Technical and design changes are reserved. With a policy of continuous product development, Leviat reserves the right to modify product design and specification at any time.



For more information on these products, contact:

Leviat

President Way
President Park
Sheffield, S4 7UR
United Kingdom

Tel: +44 (0) 114 275 5224
Fax: +44 (0) 114 276 8543

Email: info.ancon.uk@leviat.com

For sales enquiries:

Email: sales.ancon.uk@leviat.com

For technical enquiries:

Email: tech.ancon.uk@leviat.com

Ancon.co.uk
Leviat.com